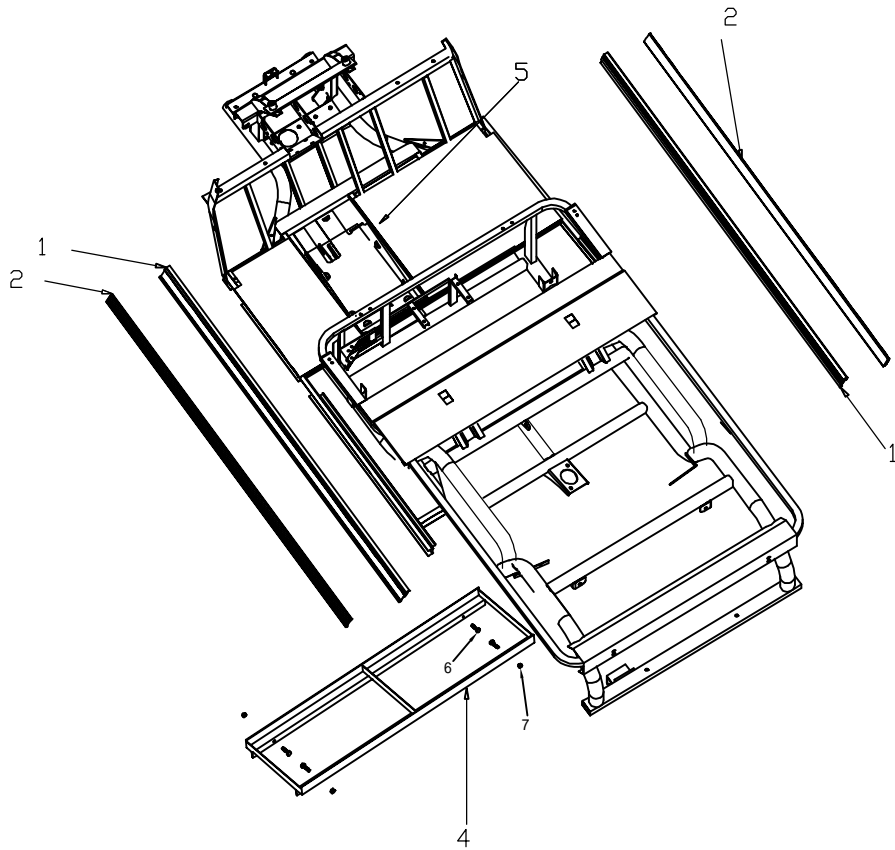
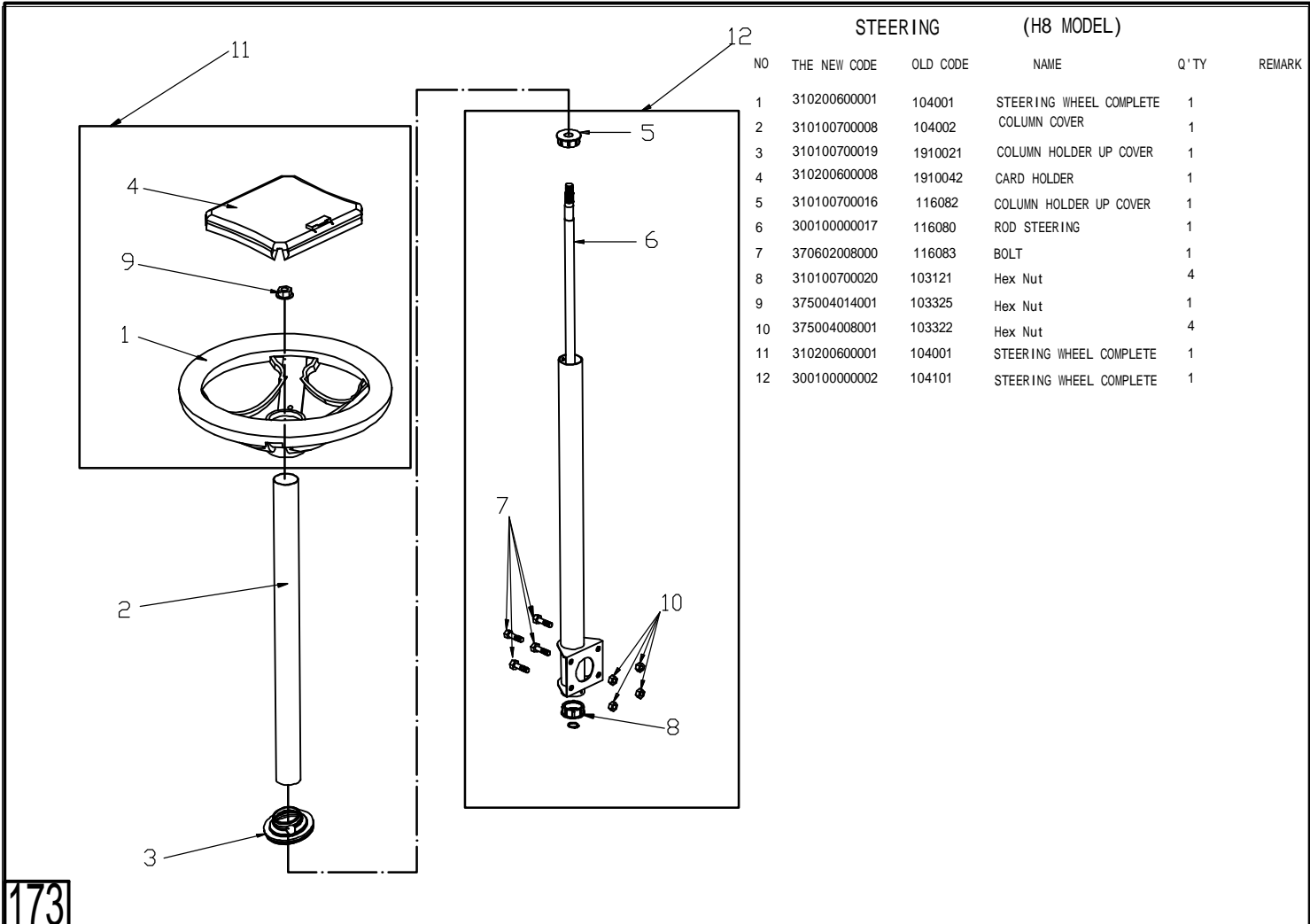


GHASSIS FRAME (2) (H8 MODEL)

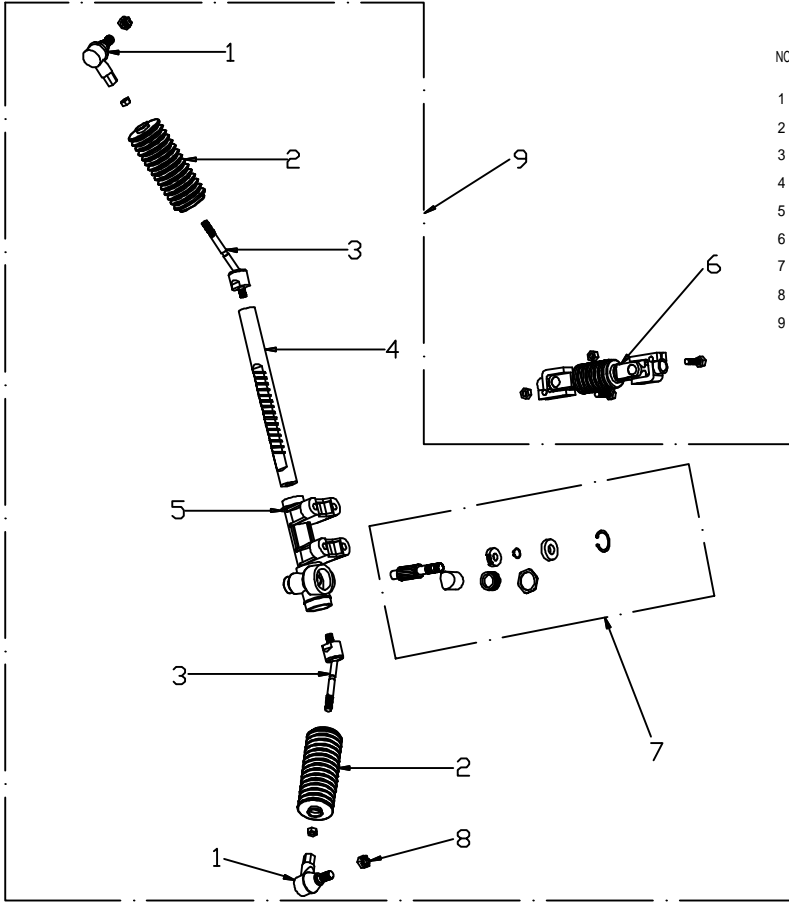
NO	THE NEW CODE	OLD CODE	NAME	Q'TY	REMARK
1	20100000427	107057	SIDE SILL	2	
2	310199900044	107128	SIDE BUMPER	2	
3	201003030006	112031	H8 FRAME	1	
4	201003010125	112212	8V BATTERY HOLDER	1	
5	201003010104	112202	INSPECTION COVER	1	
6	370602010000	103141	SCREW	4	
7	375004010001	103323	Hex Nut	4	





STEERING (H8 MODEL)

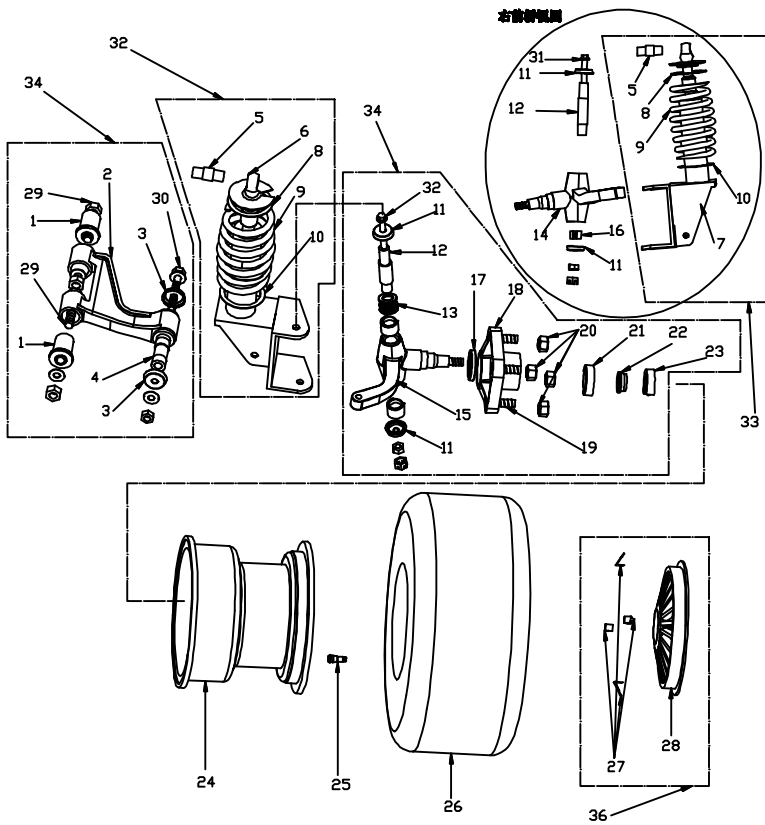
NO	THE NEW CODE	OLD CODE	NAME	Q'TY	REMARK
1	310200600001	104001	STEERING WHEEL COMPLETE	1	
2	310100700008	104002	COLUMN COVER	1	
3	310100700019	1910021	COLUMN HOLDER UP COVER	1	
4	310200600008	1910042	CARD HOLDER	1	
5	310100700016	116082	COLUMN HOLDER UP COVER	1	
6	300100000017	116080	ROD STEERING	1	
7	370602008000	116083	BOLT	1	
8	310100700020	103121	Hex Nut	4	
9	375004014001	103325	Hex Nut	1	
10	375004008001	103322	Hex Nut	4	
11	310200600001	104001	STEERING WHEEL COMPLETE	1	
12	300100000002	104101	STEERING WHEEL COMPLETE	1	



STEERING (H8 MODEL)

NO	THE NEW CODE	OLD CODE	NAME	Q'TY	Remark
1	300100000005	116071	Ball joint	2	
2	310100700012	104104	Rubber Boot	2	
3	300100000004	116072	Inner Ball Joint	2	
4	300100000003	116073	End Rack	1	
5	300100000007	116074	Steering Box Housing	1	
6	300100000009	104102	Universal Joint	1	
7	300100000006	116002	Pinion Assembly	1	
8	375099000020	103327	Hex Nut	2	
9	300100000001	104103	Steering Assembly	1	

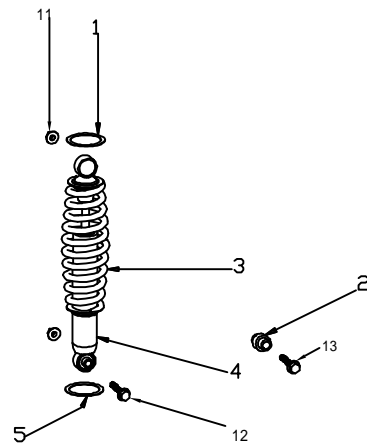
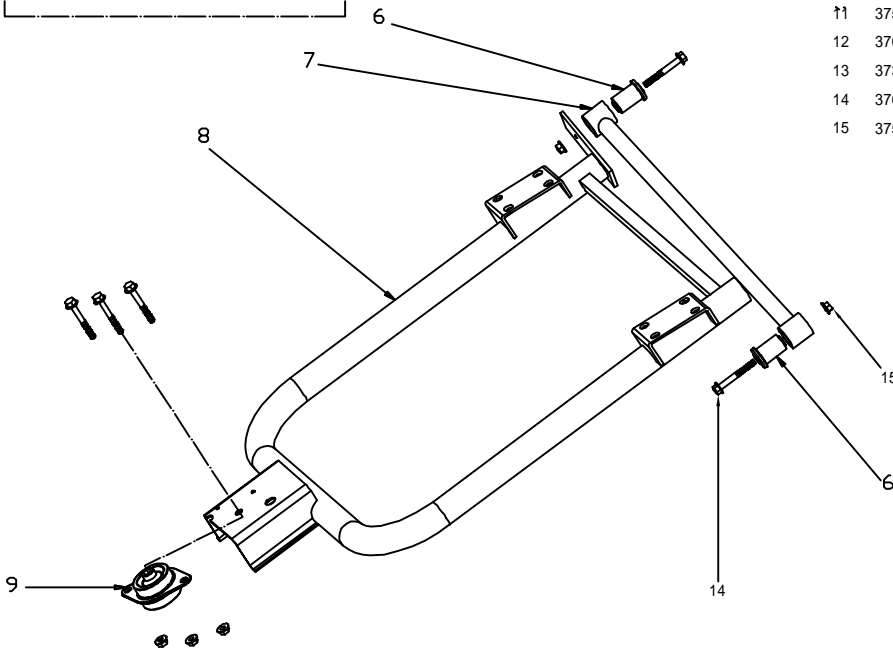
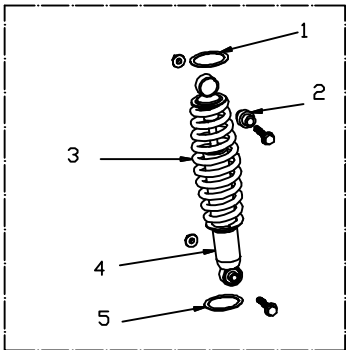
FRONT SUSPENSION (H8 MODEL)



NO	THE NEW CODE	OLD CODE	NAME	Q'TY	REMARK
1	30010000027	106201	BUSH 1	4	
2	201003010090	106022	Arms	2	
3	30010000029	106212	Arms Seal	4	
4	30010000028	106211	Arm	2	
5	30010000022	116042	Front shock Cover	2	
6	30010000019	106301	Front shock assembly-Driver	1	
7	30010000020	106302	Front shock assembly Passover	1	
8	310200800002	106602	Cushion Cover	2	
9	30010000023	106411	Front Spring	2	
10	310200800003	106603	Cushion Cover	2	
11	310199900022	106241	Knuckle 1	4	
12	30010000030	106231	Main Washer	2	
13	201004000003	106014	Knuckle Passover	1	
14	201004000004	106013	Knuckle Driver	1	
15	309910000020	106222	Oil Seal	2	
16	201003010089	106003	Front Hub	2	
17	373000000024	103453	C Type Screw	8	
18	375099000018	103454	Lug nut	8	
19	309910000009	106102	Bearing	2	6205
20	309910000019	106221	Seal	2	
21	309910000012	106101	Bearing	2	6204
22	309999000177	109032	Wheel Rim	2	
23	499900000100	109001	Tire Valve	2	
24	310100100004	109102	TYRE	2	
25	201000000392	109021	Wheel Cover Clip	8	
26	310201400002	109011	Wheel Cover	2	
27	370607012000	103163	Roof Plate Rear	4	M12*70
28	370608512000	103165	Roof Plate Rear	2	M12*85
29	370614010000	103148	Roof Plate Rear	2	M10*140
30	204009000003	116101	Front shock assembly Driver	1	
31	204009000002	116102	Front shock assembly-passover	1	
32	204999000001	115004	Arm Assembly	2	
33	204999000002	115005	Bolt Assembly	2	
34	204999000007	115014	Wheel Cover Assembly	2	

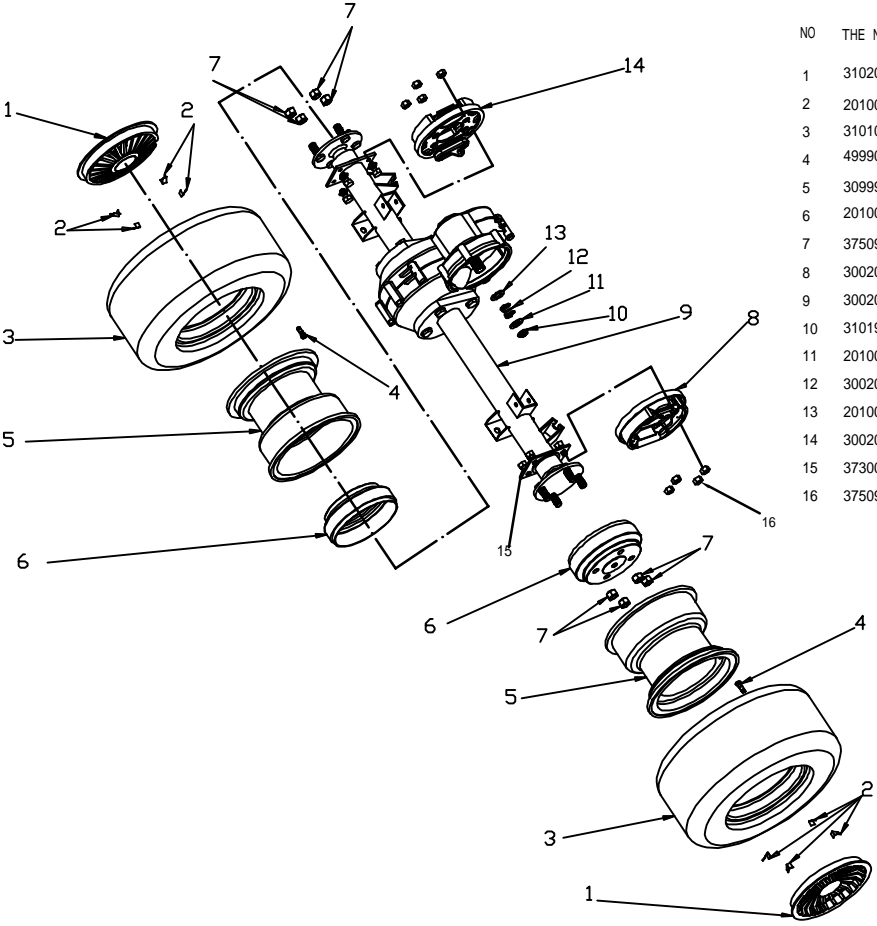
TRANSAXLE TUBE (H8 MODEL)

NO	THE NEW CODE	OLD CODE	NAME	Q'TY	REMARK
1	310200800004	106604	REAR SEAL	2	
2	300200000010	116041	REAR COT	2	
3	300200000011	106412	REAR SPRING	2	
4	300200000008	106303	REAR SUSPENSION	2	
5	310200800005	106605	RUBBER SEAL	2	
6	300100000027	106201	BUSH 1	2	
7	201003010091	112231	TORSION BAR	1	
8	201003010094	112221	Transaxle Tube	1	
9	310199900006	106601	MOUNT BLOCK	1	
10	204009000001	116103	REAR SHOCK ABSORBER	2	
11	375004010001	103323	HEX NUT	4	10mm
12	370605510000	103145	SCREW	4	10*55
13	373110101504	103721	ALUMINUM GASKETS	8	1.0*15*10.2
14	370607012000	103163	SCREW	2	12*70
15	375004012001	103324	Hex Nut	2	12mm

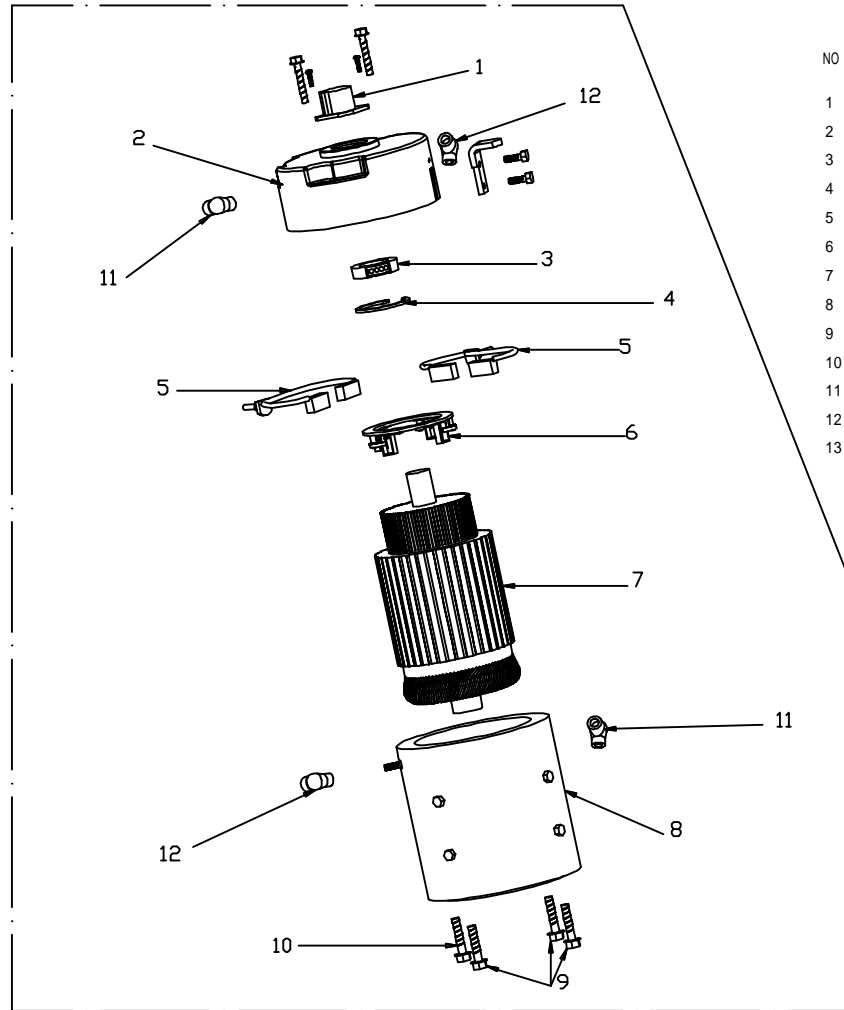


REAR WHEEL (H8 MODEL)

NO	THE NEW CODE	OLD CODE	NAME	Q'TY	REMARK
1	310201400002	109011	WHEEL COVER	2	
2	201000000392	109021	WHEEL COVER CLIP	2	
3	310100100004	109102	TYRE (18*8.5-8)	2	
4	499900000100	109001	TIRE VALVE	2	
5	309999000177	109032	WHEEL RIM	2	
6	201003010085	106042	BRAKE DRUM	2	
7	375099000018	103454	BRAKE DRUM Hex Nut	8	
8	300200000007	106502	BRAKE ASSEMBLY-PASSOVER	1	
9	300200000003	106512	TRANSAXLE	1	
10	310199900024	110504	OIL COVER	1	
11	201000000082	110503	NUT	1	
12	300200000017	110501	SPRING	1	
13	201000000083	110502	BASE	1	
14	300200000006	106501	BRAKE ASSEMBLY DRIVER	1	
15	373000000025	103503	SCREW	8	
16	375099000019	103504	Hex Nut	8	



177

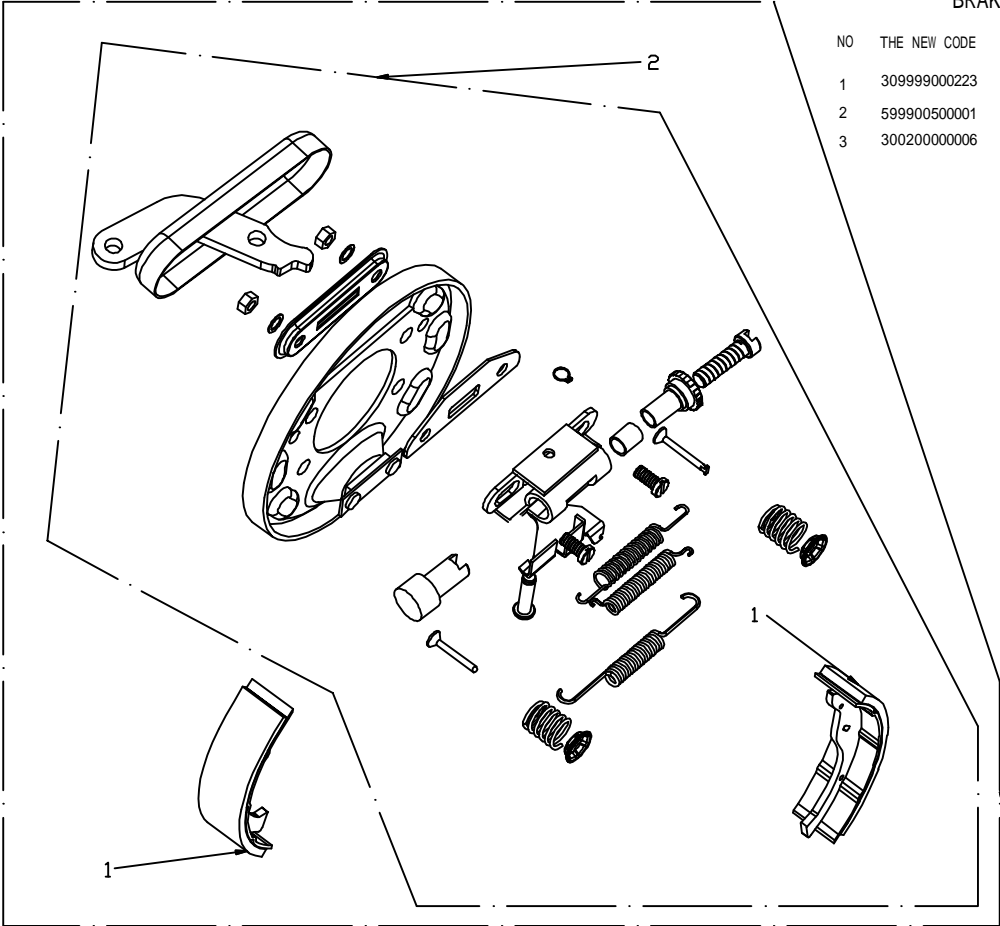


MOTOR (H8 MODEL)

NO	THE NEW CODE	OLD CODE	NAME	Q'TY	REMARK
1	310299900027	110002	BUMPER	1	
2	320700000021	116051	MOTOR COVER 2	1	
3	309910000013	116052	NUT	1	6205
4	309911000001	116053	RETAINER CLIP	1	
5	320700000017	116054	CARBON BRUSH	2	
6	309999000241	116055	BRUSH HOLDER	1	
7	302700000016	116056	ARMATURE	1	
8	320700000015	116057	FIELD COIL ASSEMBLY	1	
9	373000000006	103632	SCREW	3	
10	373000000007	103631	SCREW	1	
11	310199900027	110012	DUST COVER 1	2	
12	310199900026	110011	DUST COVER 2	2	
13	320700000002	110125	MOTOR DRIVE COMPLETR	1	

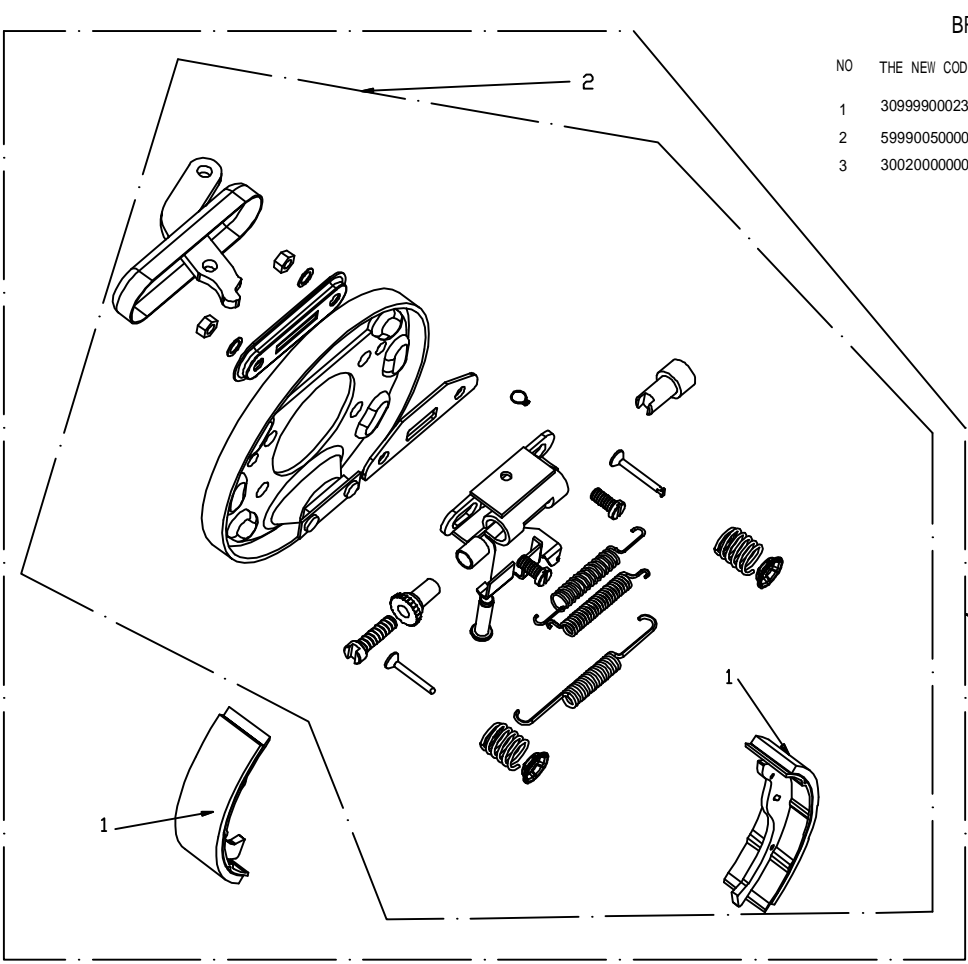
BRAKE LEFT SIDE (H8 MODEL)

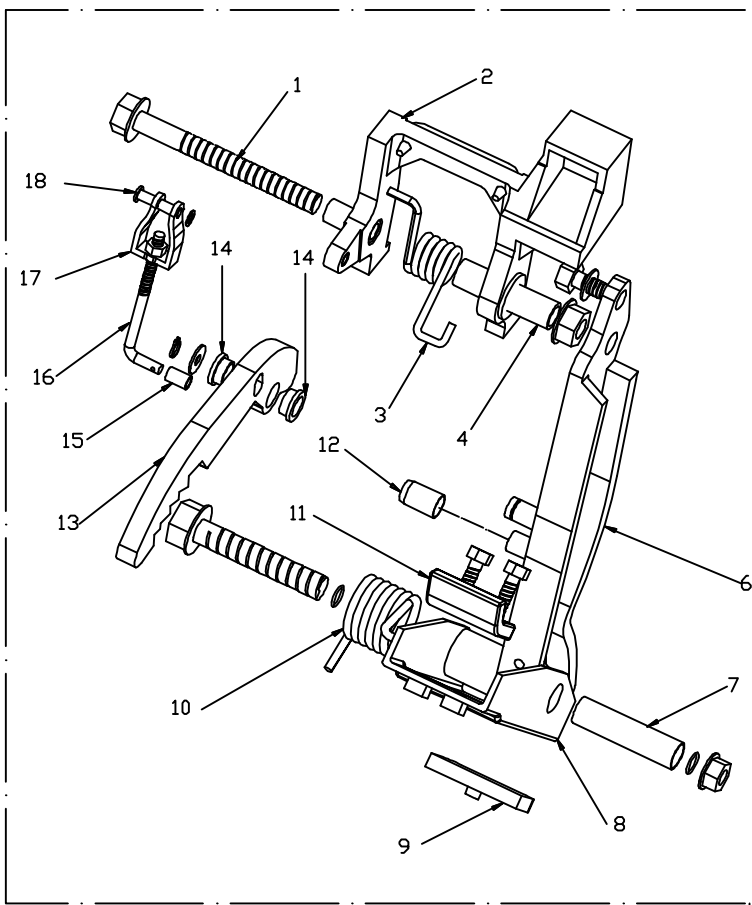
NO	THE NEW CODE	OLD CODE	NAME	Q'TY	REMARK
1	309999000223	116011	BRAKE SHOE	2	
2	599900500001	116001	REPAIR PARTS KIT	1	
3	300200000006	106501	BRAKE ASSEMBLY DRIVER	1	



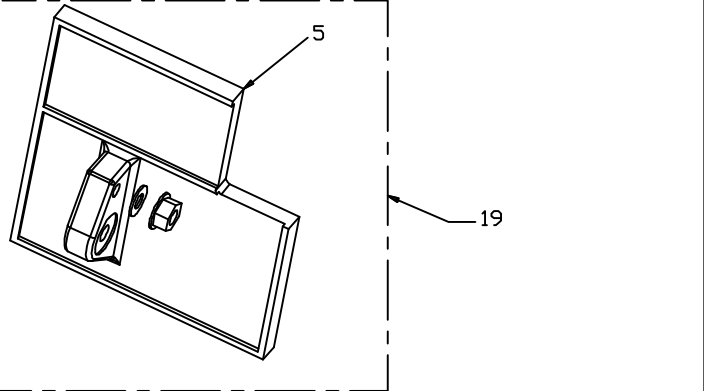
BRAKE RIGHT SIDE (H8 MODEL)

NO	THE NEW CODE	OLD CODE	NAME	Q'TY	REMARK
1	30999900023	116011	BRAKE SHOE	2	
2	599900500001	116001	REPAIR PARTS KIT	1	
3	300200000007	106502	BRAKE ASSEMBLY-PASSOVER	1	



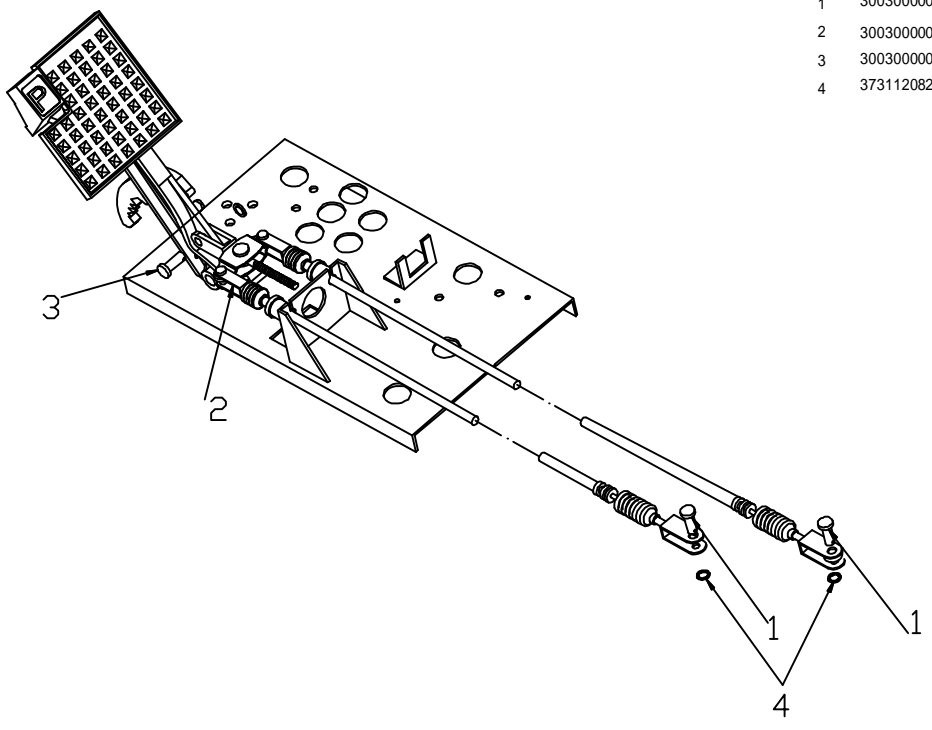


		BRAKE		H2 MODEL)	
NO	THE NEW CODE	OLD CODE	NAME	Q'TY	REMARK
1	300300000036	105361	BRAKE SPRING COVER	1	
2	300300000031	105332	PAD. PARKING	1	
3	300300000052	105311	PARKING SPRING	1	
4	300300000037	105344	BRAKE SPRING COVER	1	
5	300300000051	105331	BRAKE ARM COMP	1	
6	201003990073	105306	BRAKE ARM COMP	1	
7	300300000039	105342	COLLAR	1	
8	201000000053	105341	BRACKING BASE	1	
9	310199900033	105345	PAD - BRAKE PEDAL	1	
10	300300000026	105310	BRAKE SPRING	1	
11	300300000032	105304	PAD - PARKING PEDAL	1	
12	310200900013	116021	COLLAR	1	
13	300300000033	105303	PARKING BRAKE	1	
14	310200900011	105001	BUSH	2	
15	310200900012	105002	COLLAR	1	
16	300300000034	105348	PARKING COLLAR	1	
17	300300000041	105349	ROD	1	
18	300300000042	105350	PIN - CLEVIS	1	
19	201005000016	115002	PARKING ASSEMBLY	1	



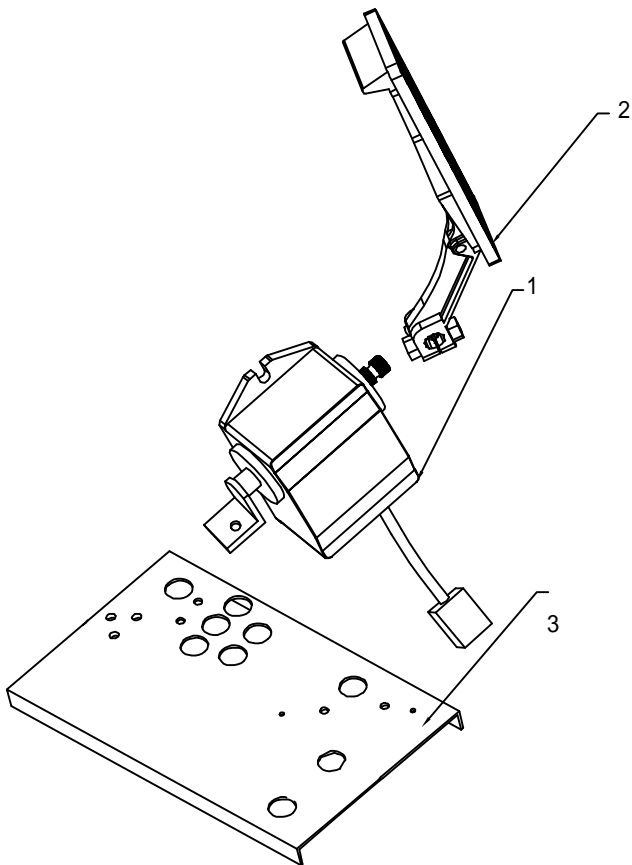
BRAKE CABLE (H8 MODEL)

NO	THE NEW CODE	OLD CODE	NAME	Q'TY	REMARK
1	300300000022	105322	PIN,CLEVIS	2	
2	300300000001	105101	A2 BRAKE CABLE ASS'Y	1	
3	300300000023	105321	BOLT	1	
4	373112082001	103705	SPLIT PIN	2	ø8*1.2t



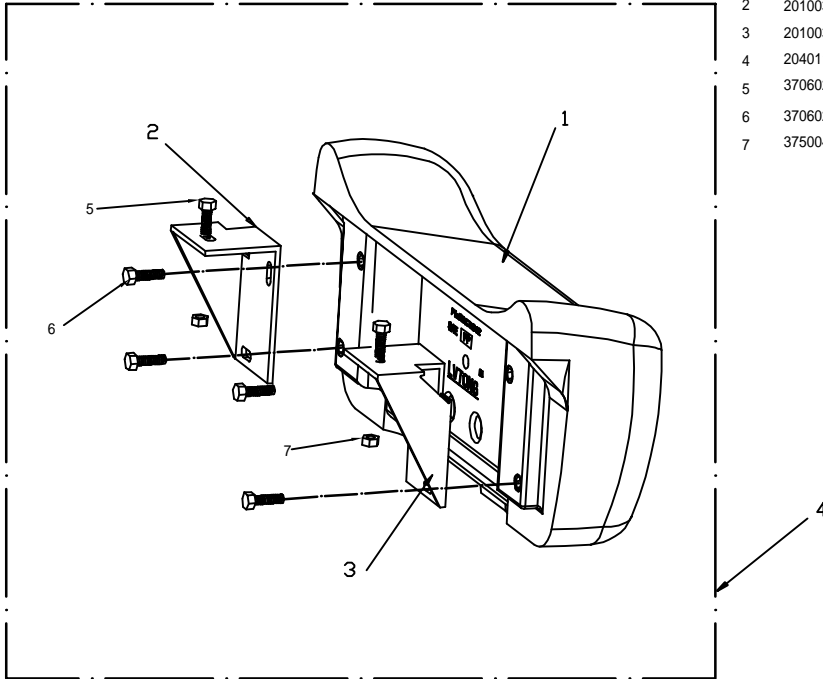
ACCELERATOR (H8 MODEL)

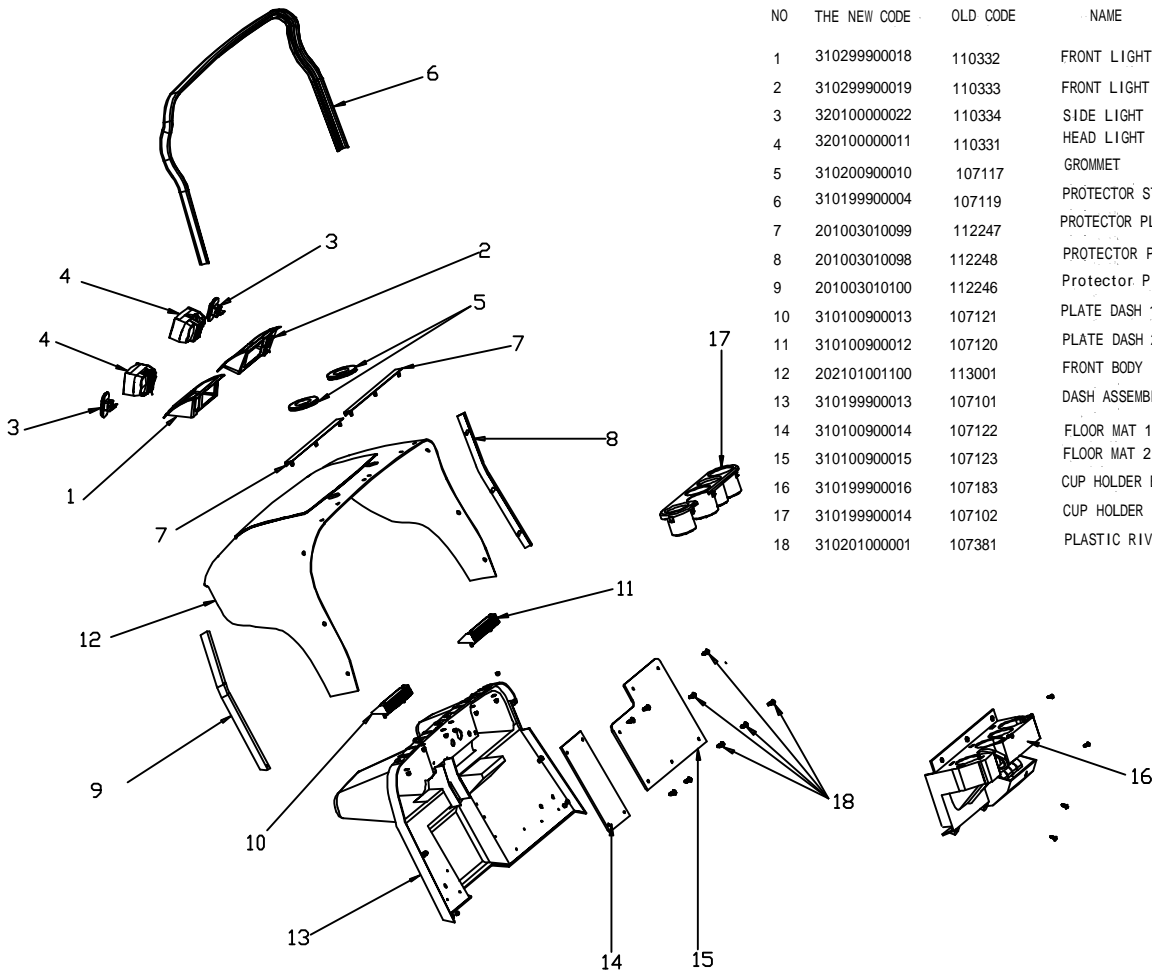
NO	THE NEW CODE	OLD CODE	NAME	Q'TY	REMARK
1	320500000004		NEW Accelerator Assembly	48V	
2	201005000017	105201	Accelerator Pedal	1	
3	204999000003	115001	BRAKING BASE	1	



FRONT BUMPER (H8 MODEL)

NO	THE NEW CODE	OLD CODE	NAME	Q'TY	REMARK
1	309999000159	107106	FRONT BUMPER	1	
2	201003010096	112249	FRONT BUMPER BASE 1	1	
3	201003010095	112250	FRONT BUMPER BASE 2	1	
4	204011000001	115011	FRONT BUMPER ASSEMBLY	1	
5	370602006000	103101	SCREW	4	6*20
6	370602008000	103121	SCREW	2	8*20
7	375004008001	103322	Hex Nut	2	8mm



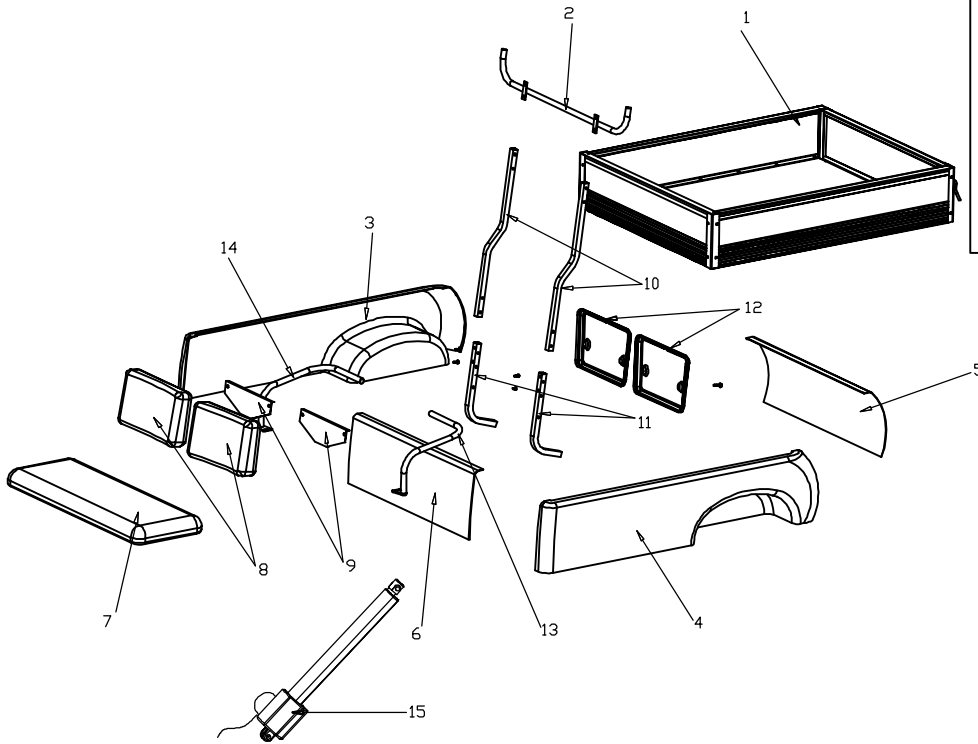


BODY (H8 MODEL)

NO	THE NEW CODE	OLD CODE	NAME	Q'TY	REMARK
1	310299900018	110332	FRONT LIGHT BASE/PASSENGER	1	
2	310299900019	110333	FRONT LIGHT BASE/DRIVER	1	
3	320100000022	110334	SIDE LIGHT	2	
4	320100000011	110331	HEAD LIGHT KIT	2	
5	310200900010	107117	GROMMET	2	
6	310199900004	107119	PROTECTOR STRIP	1	
7	201003010099	112247	PROTECTOR PLATE TOP	2	
8	201003010098	112248	PROTECTOR PLATE-DRIVER	1	
9	201003010100	112246	Protector Plate-Passenger	1	
10	310100900013	107121	PLATE DASH 1	1	
11	310100900012	107120	PLATE DASH 2	1	
12	202101001100	113001	FRONT BODY	1	
13	310199900013	107101	DASH ASSEMBLY	1	
14	310100900014	107122	FLOOR MAT 1	1	
15	310100900015	107123	FLOOR MAT 2	1	
16	310199900016	107183	CUP HOLDER BASE	1	
17	310199900014	107102	CUP HOLDER	1	
18	310201000001	107381	PLASTIC RIVET	10	

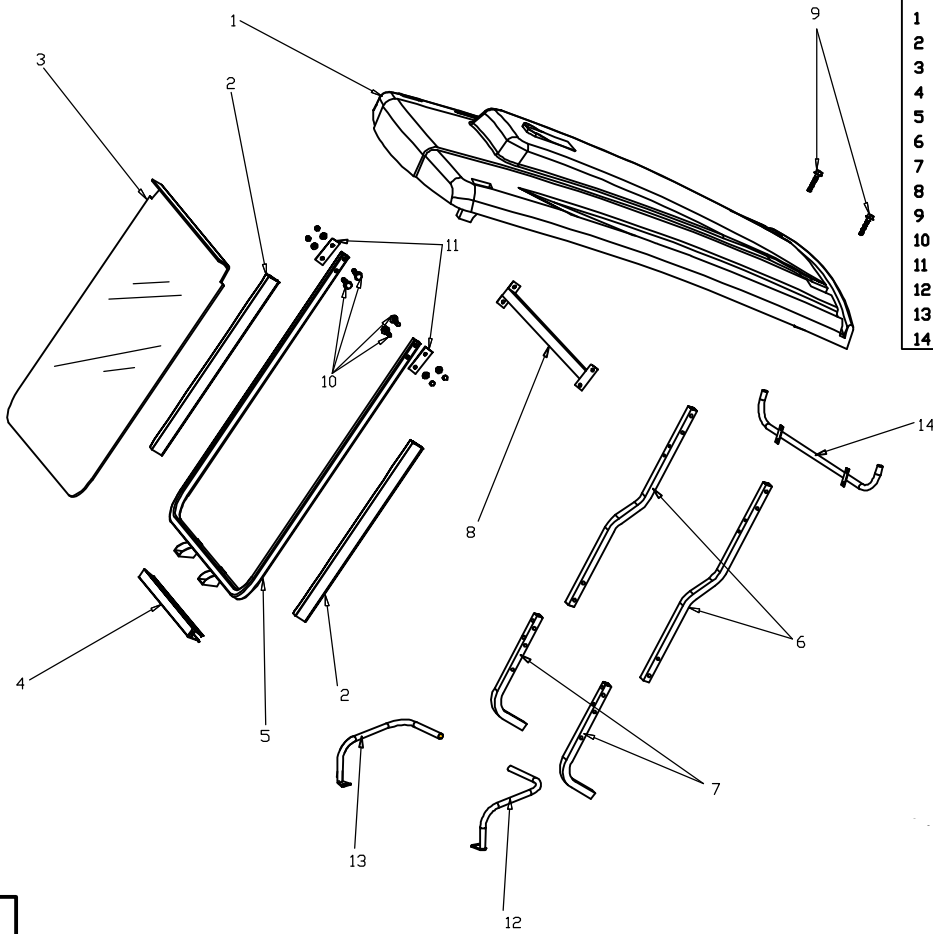
CARGO BOX (H8 MODEL)

NO	THE NEW CODE	OLD CODE	NAME	Q'TY	REMARK
1	204004000003	115611	H2 AL CARGO DESK	1	
2	201003010028	112116	A2 ARM	1	
3	202103001232	113216	H2 REAR BODY/RH	1	
4	202103001222	113215	H2 REAR BODY/LF	1	
5	202103001212	113214	H2 REAR BODY/REAR SIDE	1	
6	202103001002	113213	H2 REAR BODY/FORMER	1	
7	310100400022	108201	H2 CARGO CAR CUSHION BASE	1	
8	310100300003	108101	SEAT BACK SHORT CUSHION	2	
9	201003010026	112112	MOUNTING BRACKET	2	
10	201002030015	117417	REAR ROOF UP SUPPORT/LF	2	
11	201002030017	117419	REAR ROOF UP SUPPORT/RH	2	
12	310300200007	108001	A2 SEAT BACK COVER	2	
13	201003010040	112113	ARMREST DRIVER	1	
14	201003010039	112114	ARMREST PASSENGER	1	
15	309999000143	106732	ELECTRONIC LIFT	1	



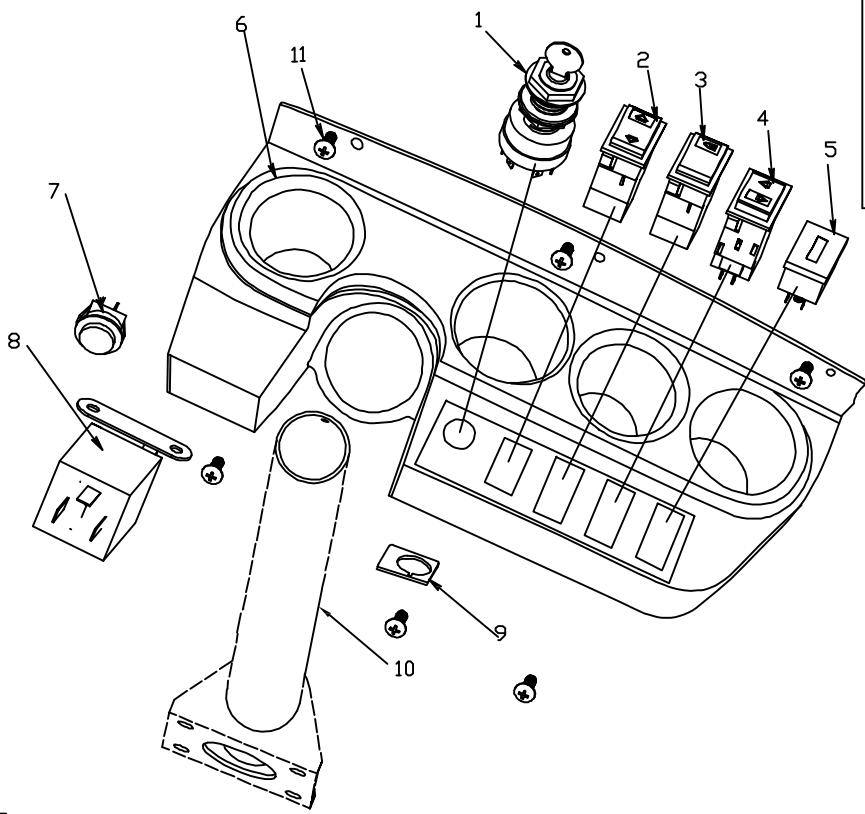
CARGO ROOF (H8 MODEL)

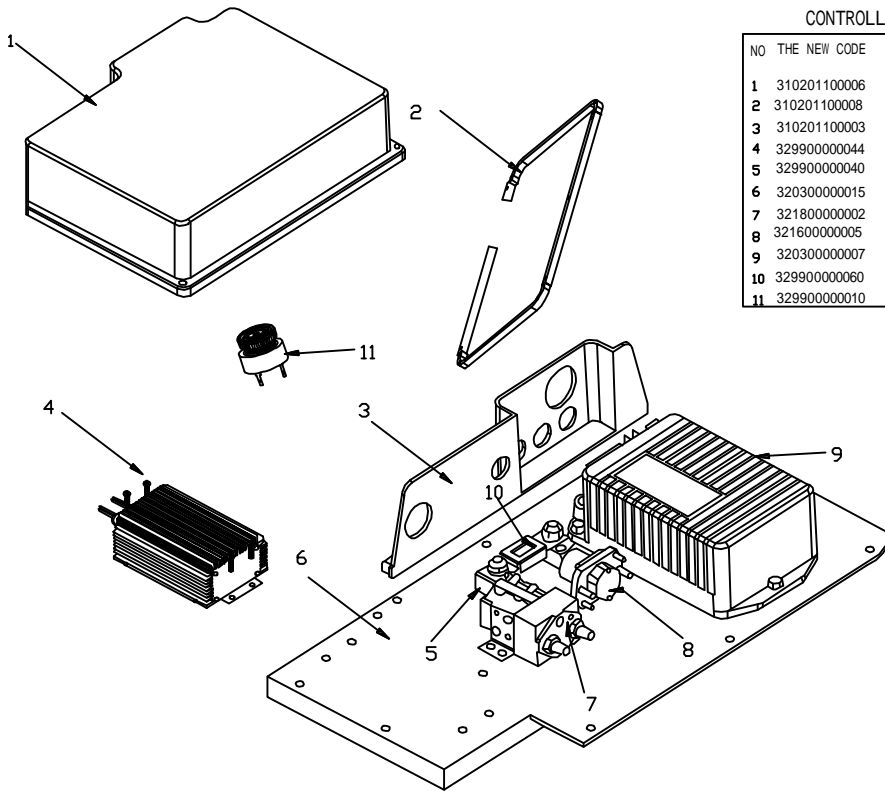
NO	THE NEW CODE	OLD CODE	NAME	Q'TY	REMARK
1	310200101022	107021	SUNROOF	1	
2	310200500003	107202	WINDSCREEN RETAINER CLIP SIDE	2	730mm
3	310200400012	107215	A2 WINDSCREEN	1	
4	310200500002	107201	WINDSCREEN RETAINER CLIP BOTTOM	1	600mm
5	201003030010	118209	FRONT ROOF SUPPORT	1	
6	201002030015	117417	REAR ROOF SUPPORT	2	
7	201002030017	117419	REAR ROOF UP SUPPORT/RH	2	
8	201003010012	112117	SUPPORT BAR	1	
9	370604008000	103124	SCREW	2	M8*40
10	370604508000	103125	SCREW	4	M8*45
11	201000000216	112106	ROOF PLATE FRONT	2	
12	201003010040	112113	ARMREST DRIVER	1	
13	201003010039	112114	ARMREST PASSENGER	1	
14	201003010028	112116	A2 ARM	1	



INSTRUMENT PANEL (H8 MODEL)

NO	THE NEW CODE	OLD CODE	NAME	Q'TY	REMARK
1	32170000003	110383	KEY SWITCH	1	
2	32020000012	110312	SWITCH - FORWARD/REVERSE	1	
3	32020000011	110313	SWITCH HEAD LIGHTS	1	
4	32020000013	110314	SWITCH - INDICATORS RIGHT/LEFT	1	
5	32110000003	110111	VOLTAGE INDICATOR 48V	1	
6	310199900016	107183	CUP HOLDER BASE	1	
7	321000000004	110295	HORN BUTTON	1	
8	329900000049	110336	SWITCH RELAY	1	
9	201000000391	1119878	KEY BASE PLATE	1	
10	300100000002	104106	COLUMN COVER	1	
11	370302006000	103021	SCREW	6	



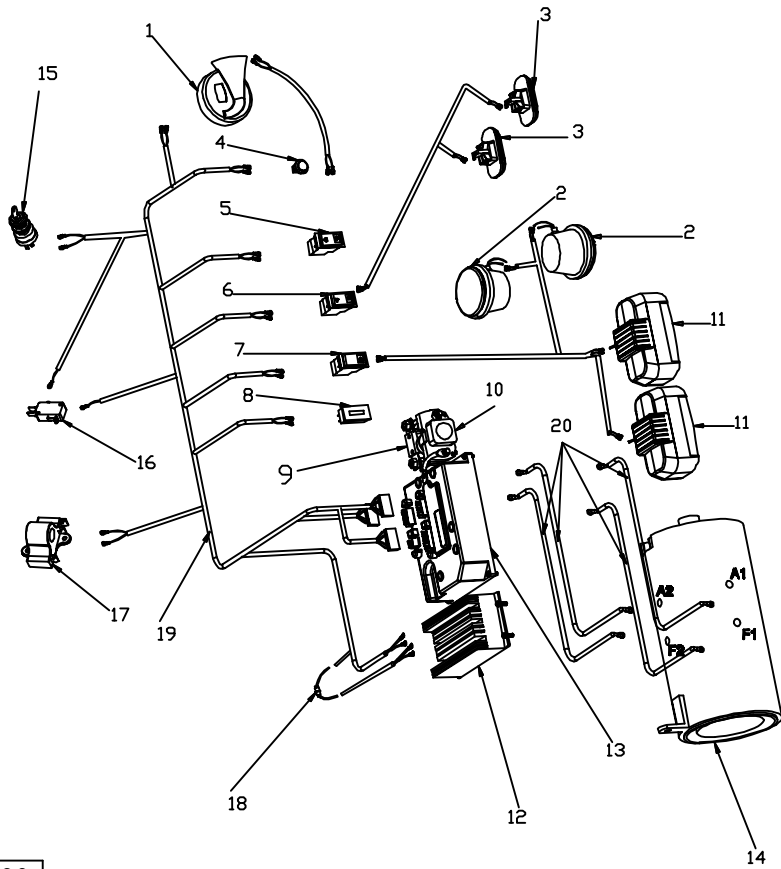


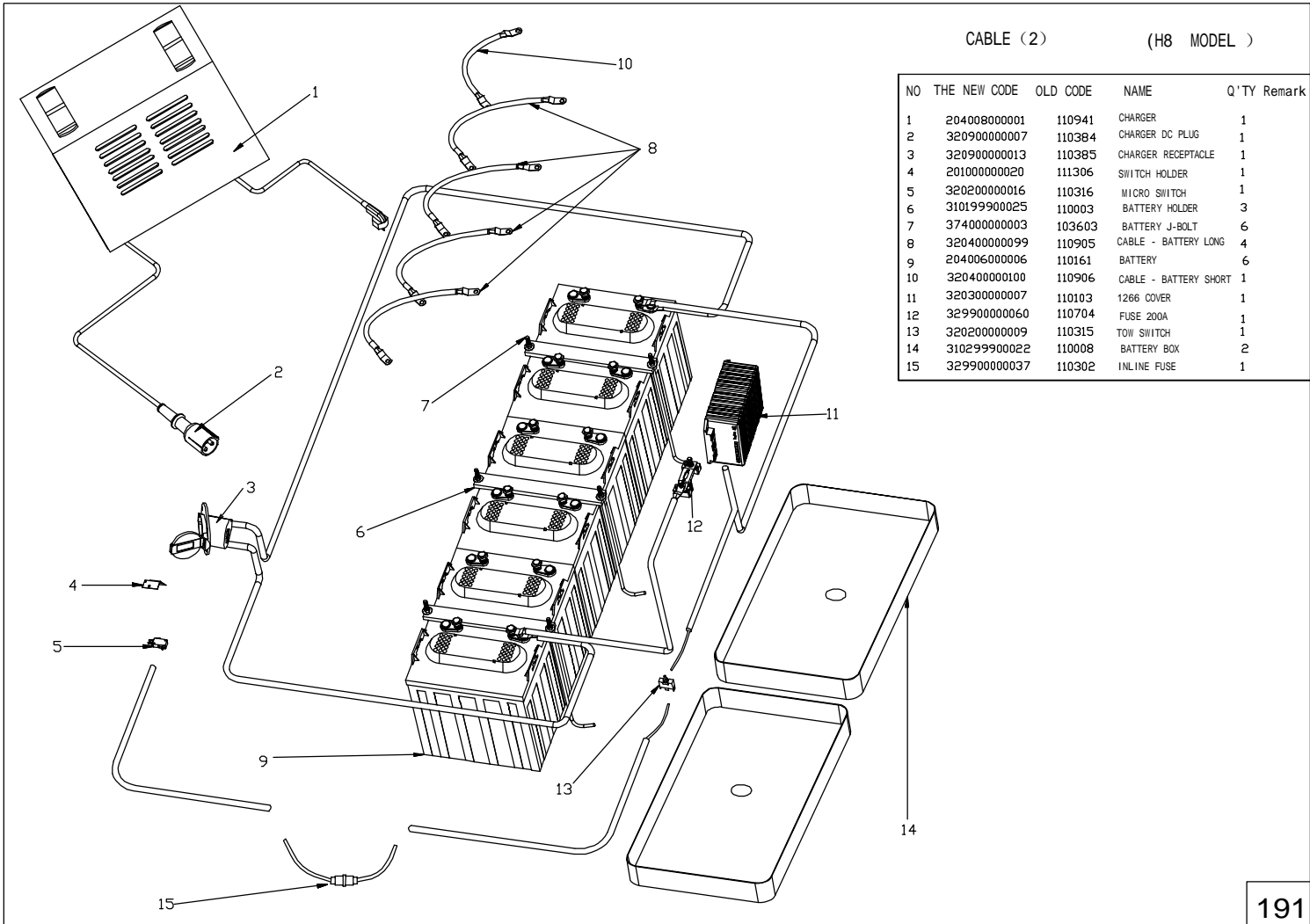
CONTROLLER ASSEMBLY (H8 MODEL)

NO	THE NEW CODE	OLD CODE	NAME	Q'TY	REMARK
1	310201100006	110040	CONTROLLER COVER TOP	1	
2	310201100008	110047	CONTROLLER COVER BASE	1	
3	310201100003	110043	CONTROLLER BOX PLATE	1	
4	329900000044	1201771	DC/DC CONVERTER	1	
5	329900000040	110306	FUSE	2	
6	320300000015	110374	HEATSINK BOARD	1	
7	321800000002	110104	SOLENOID	1	
8	321600000005	110107	SENSOR ZJ-50A	1	
9	320300000007	110103	1266 CONTROLLER	1	
10	329900000060	110704	FUSE	1	
11	329900000010	110282	REVERSE BUZZER	1	

WIRING (H8 MODEL)

NO	THE NEW CODE	OLD CODE	NAME	Q'TY	REMARK
1	32100000001	110291	HORN 12V	1	
2	32010000002	110335	TAIL LAMP	2	
3	32010000022	110334	SIDE LIGHT	2	
4	32100000002	110293	HORN BUTTON	1	
5	32020000012	110312	SWITCH - FORWARD/REVERSE	1	
6	32020000013	110314	SWITCH - INDICATORS RIGHT/LEFT	1	
7	32020000011	110313	SWITCH HEAD LIGHTS	1	
8	32110000003	110111	VOLTAGE INDICATOR 48V	1	
9	32990000036	110301	FUSE 200A	1	
10	32160000003	110361	SENSOR	1	
11	32010000011	110331	HEAD LIGHT KIT	2	
12	32990000043	110351	DC/DC CONVERTER	1	
13	32030000007	110101	CONTROLLER	1	
14	32070000002	110125	MOTOR DRIVE COMPLETE	1	
15	32170000002	110381	KEY SWITCH	1	
16	32020000016	110361	MICRO SWITCH	1	
17	20499900030	110317	INDUCTIVE THROTTLE SENSPR	1	
18	32990000037	110302	INLINE FUSE	1	
19	32040000002	110909	INSTRUMENT WIRING HARNESS	1	
20			MOTOR WIRE		
21	32040000012	110901	F1	1	
22	32040000014	110902	F2	1	
23	320400000110	110903	A1	1	
24	320400000111	110904	A2	1	





CABLE (2) (H8 MODEL)

NO	THE NEW CODE	OLD CODE	NAME	Q'TY	Remark
1	20400800001	110941	CHARGER	1	
2	32090000007	110384	CHARGER DC PLUG	1	
3	32090000013	110385	CHARGER RECEPTACLE	1	
4	20100000020	111306	SWITCH HOLDER	1	
5	32020000016	110316	MICRO SWITCH	1	
6	31019990025	110003	BATTERY HOLDER	3	
7	37400000003	103603	BATTERY J-BOLT	6	
8	32040000099	110905	CABLE - BATTERY LONG	4	
9	20400600006	110161	BATTERY	6	
10	32040000010	110906	CABLE - BATTERY SHORT	1	
11	32030000007	110103	1266 COVER	1	
12	32990000060	110704	FUSE 200A	1	
13	32020000009	110315	TOW SWITCH	1	
14	31029990022	110008	BATTERY BOX	2	
15	32990000037	110302	INLINE FUSE	1	